

BrightEye 57

3G/HD/SD/Analog Test Signal and Sync Pulse Generator

BrightEye 57 is a genlockable sync generator and test signal generator that can be used as either a slave or master reference generator. It can lock to house reference or it can lock to its own internal precision standard. BrightEye 57 is well suited for remote trucks, post, helicopters and fly packs.

1.5 Gb/s HD, 3 Gb/s HD or SD SDI test signals or black with embedded audio is output on the SDI BNCs. Composite, Tri-level Sync and AES digital audio outputs are also provided. There are three user programmable outputs that are selectable between AES, LTC, Word Clock or 6 Hz Pulse. Analog audio and AES outputs provide tone or silence.

Color black, bars, crosshatch, multiburst, and SDI checkfield (pathogenic) are just some of the signals simultaneously available on the SDI and analog composite outputs. The cyclops feature adds a motion element to the selected video test signal. An ID slate with user programmable text can overlay the test pattern.

The internal timecode generator feeds DVITC on the SD SDI outputs and VITC on the composite outputs, timecode can also be selected in LTC form on the programmable Aux outputs.

In addition to the standard suite of test patterns, users can create custom test patterns on a computer. Simply transfer test patterns to the included Secure Digital flash memory card and then insert the memory card into the front of the BrightEye 57. Test patterns can include motion.

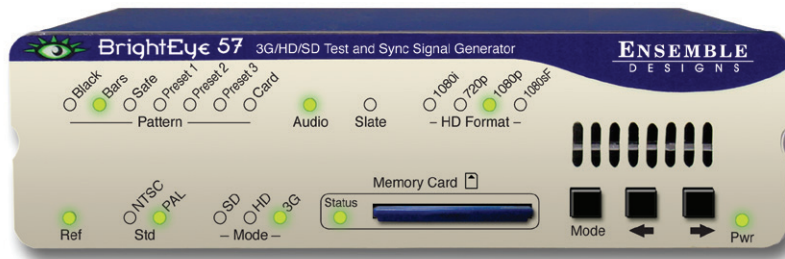
Many controls can be adjusted through the intuitive front panel. BrightEye Mac and PC software provide a complete user interface for all adjustments and controls.

For facilities and manufacturers using 3 Gb/s video, BrightEye units can be combined to form a complete 3G signal chain. The BrightEye 57 test signal generator's 3G output can be distributed through the BrightEye 43 3G distribution amplifier or the BrightEye 46 and BrightEye 48 E/O 3G fiber optical transmitter/receiver set.



BrightEye 57

3G/HD/SD/Analog Test Signal and Sync Pulse Generator



Features

- Master or slave reference generator for all video and audio gear
- Composite, HD SDI, SD SDI, Tri-Level outputs
- 3 Gb/s HD, Level A supported
- 30+ HD and SD test signals
- Create your own test patterns, transfer via secure digital flash memory
- Sync pulse generator
- Timecode generator
- Analog, AES and embedded audio outputs

BrightEye 57

3G/HD/SD/Analog Test Signal and Sync Pulse Generator

Reference Input

| | |
|-------------|--|
| Number | One |
| Signal Type | 1 V P-P Composite Video PAL or NTSC, Tri-Level Sync, or 10 MHz |
| Return Loss | >40 dB DC to 5.5 MHz |

Composite Output

| | |
|--------------------|---------------------------|
| Number | Two |
| Signal Type | NTSC/PAL |
| Impedance | 75 Ω |
| Return Loss | >40 dB DC to 5.5 MHz |
| Frequency Response | -0.1 dB 10 KHz to 5.0 MHz |
| Output DC | ± 50 mV |
| K Factor | <1.0% |
| Differential Phase | <1.0 degree |
| SCH Phase | ± 5 degrees |

Accuracy and Timing Stability

| | |
|-----------------|---------------------------|
| Internal TCXO | |
| PAL Fsc | 4.43361875 MHz +/- 1 Hz |
| NTSC Fsc | 3.579545 MHz +/- 1 Hz |
| 601 Fs | 27.000000 MHz +/- 5 Hz |
| Long Term Drift | <1 ppm/year |
| Analog Jitter | <1 ns |
| Digital Jitter | <0.2 UI (0.13 UI typical) |

Serial Digital Output

| | |
|------------------|---|
| Number | Two |
| Signal Type | 270 Mb/s SD Serial Digital (SMPTE 259M) 1.485 Gb/s HD Serial Digital (SMPTE 274M, 292M or 296M) 2.97 Gb/s HD Serial Digital (SMPTE 424M, 425M), Level A |
| Return Loss | >15 dB to 1.485 GHz >10 dB to 2.97 GHz |
| Max Cable Length | 300 meters for 270 Mb/s 100 meters for 1.485 Gb/s 70 meters for 2.97 Gb/s (Belden 1694A) |

Tri-Level Sync Output

| | |
|-------------|------------------|
| Number | Two, 75 Ω |
| Output DC | ± 50 mV |
| Return Loss | >30 dB to 30 MHz |

Standards Supported:

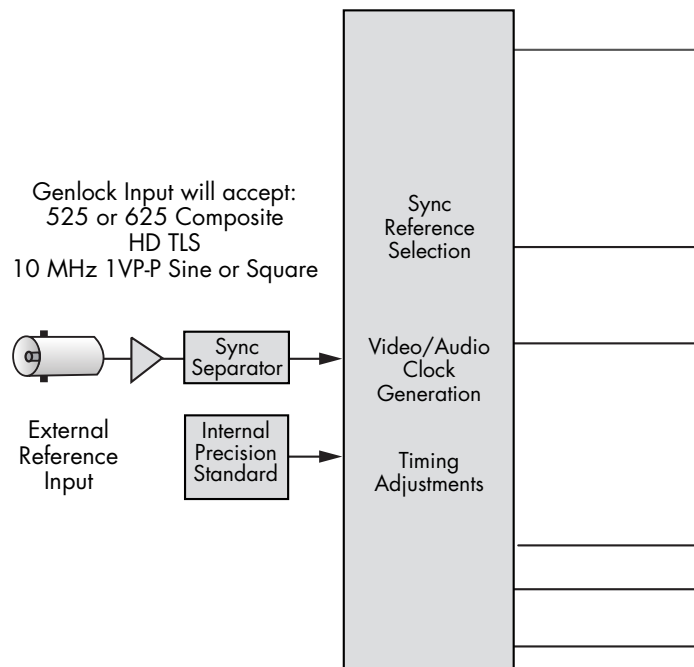
| |
|--|
| 1080i (SMPTE 274M -4, 5, 6) 50, 59.94 or 60 Hz |
| 720p (SMPTE 296M -1, 2, 3) 50, 59.94 or 60 Hz |
| 1080p (SMPTE 274M -9, 10, 11) 23.98, 24, 25 Hz |
| 1080sF (RP211 -14, 15, 16) 23.98, 24, 25 Hz |
| 1080p (SMPTE 424M, 425M), 50, 59.94, 60, Level A |
| 625i 50, 525i 59.94, Composite PAL, NTSC |

AES Audio Output

| | |
|------------|-------------------------------|
| Number | One |
| Type | AES3id, 1 KHz tone or silence |
| Resolution | 24 bit |

Analog Audio Output

| | |
|-----------------|-----------------------------|
| Number | One stereo pair or two mono |
| Type | 1 KHz tone or silence |
| Impedance | 30 Ω , balanced |
| Reference Level | -10 to +4 dBu, adjustable |



3G/HD/SD/Analog Test Signal and Sync Pulse Generator

Programmable Outputs

| | |
|-----------|---|
| Number | Three |
| Type | Selectable between AES, LTC, Wordclock, or 6 Hz Pulse |
| Impedance | 75 Ω |

Flash Memory

| | |
|--------|-------------------------------------|
| Number | One |
| Type | Secure Digital SD Flash Memory Card |
| Size | 2 GB card included |

File Type

| | |
|-------|------|
| Video | .tga |
|-------|------|

General Specifications

| | |
|-------------------|---|
| Size | 5.63" W x 1.65" H x 5.98" D (143 mm x 42 mm x 152 mm) including connectors and flange |
| Weight | 1 lb 7 oz |
| Power | 12 volts, 12 watts (100-230 VAC modular power supply) |
| Temperature Range | 0 to 40° C ambient (all specs met) |
| Relative Humidity | 0 to 95%, non-condensing |
| Altitude | 0 to 10,000 ft. |

