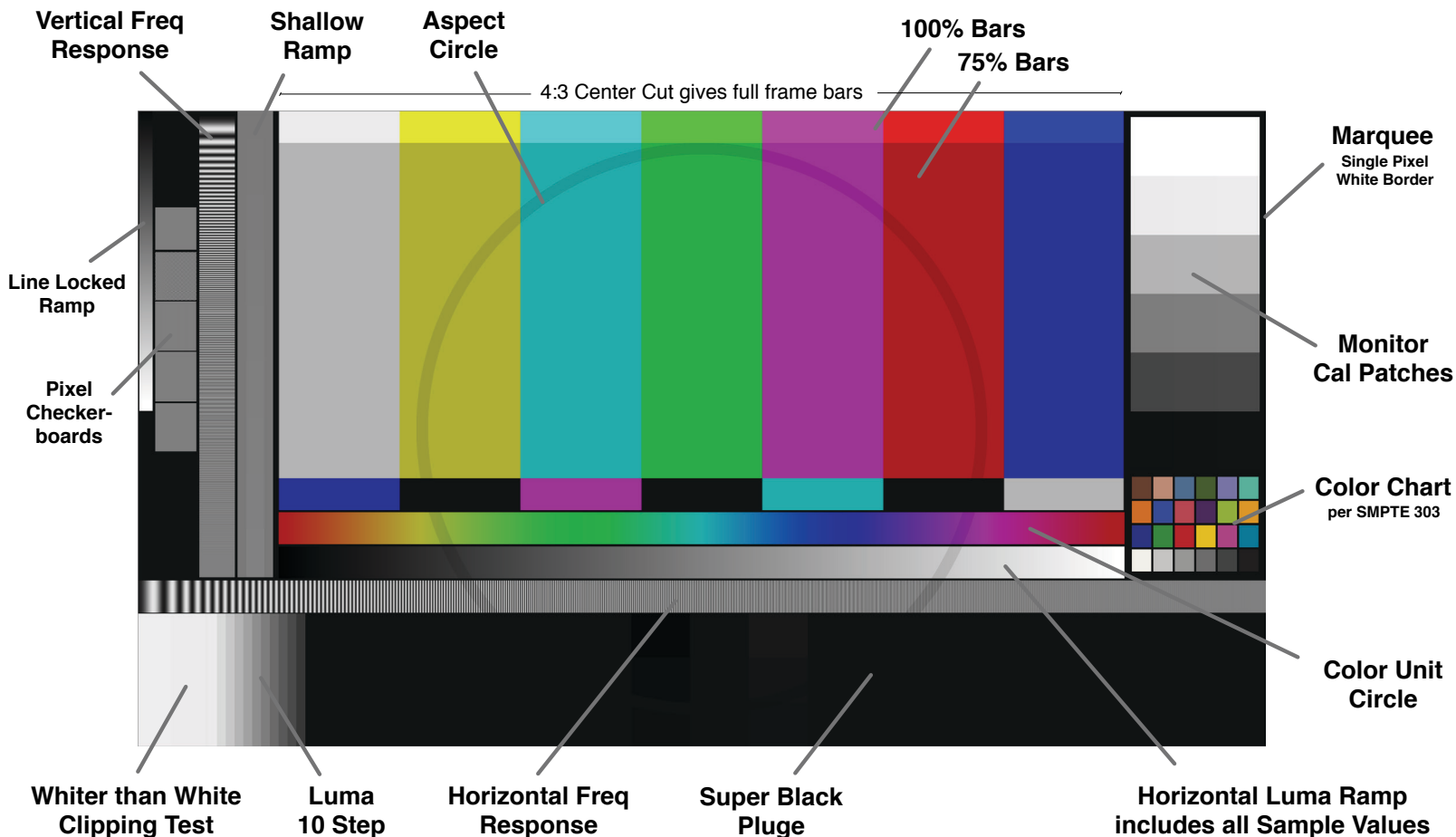


Avenue P9400 4K/UHD Test Signal Generator

4K/UHD/3G/HD/SD SPG & TSG

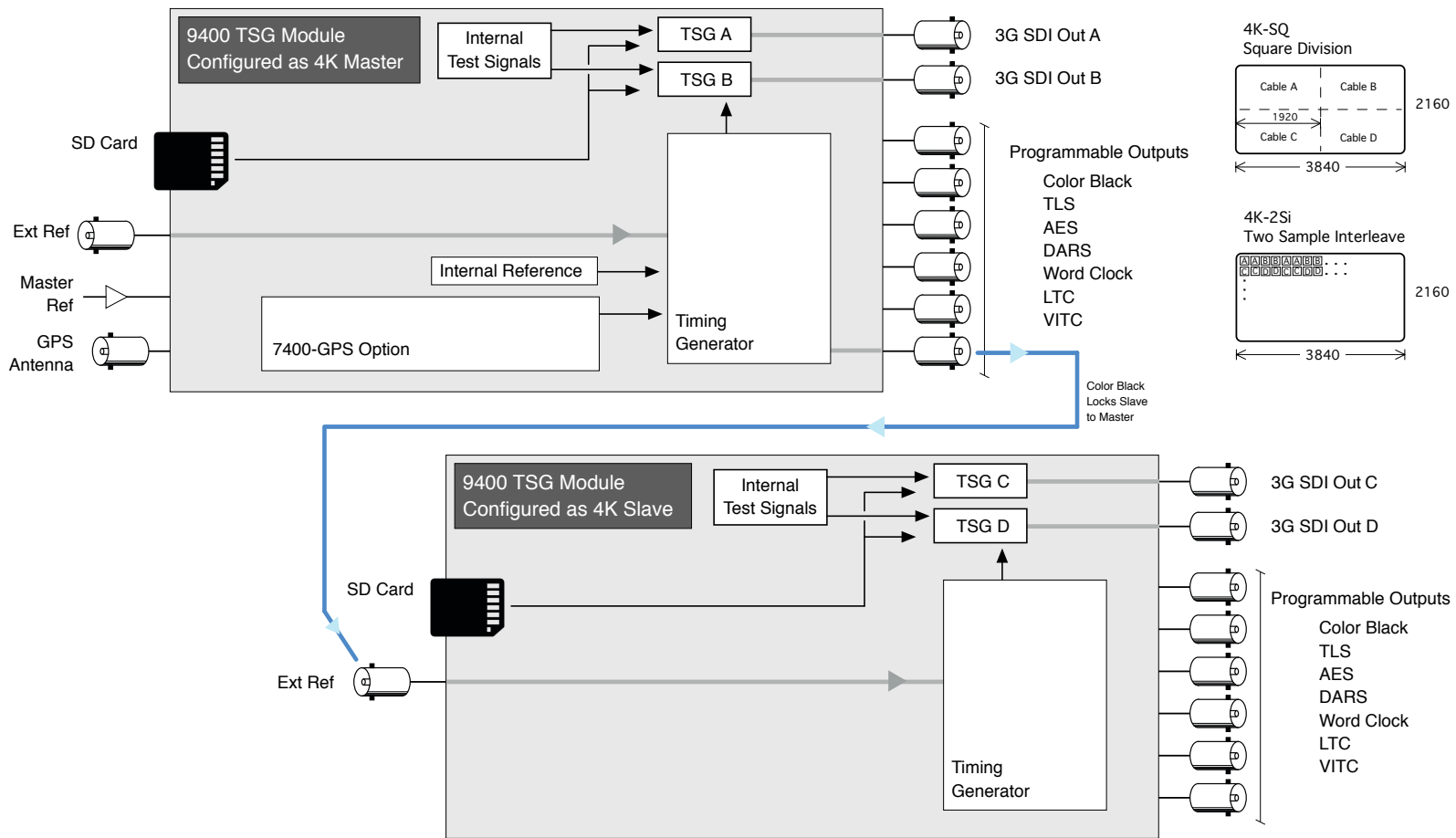
The P9400-4K SPG/TSG is a full featured Sync Pulse and Test Signal Generator supporting 4K/UHD standards, along with legacy SD and HD signals. Taking just two positions in an Avenue Frame, it's the perfect solution for broadcast, post, MCR, and remote applications. Operate from internal precision reference, or lock to external reference or GPS. It includes support for AES, Analog, and Embedded audio; ATC, DVITC, VITC, and LTC time code; and CEA 708 Caption Testing. Quad Link outputs support Square Division (SQ) or Two Sample Interleave (2SI) sample distributions. Fully configurable through the Avenue control system.

- **Flexible 4K/UHD Test Signal Generator**
- **Genlock or stand-alone operation**
- **Generates 30+ test signals**
- **GPS option**
- **Full 16 channels of audio embedding**
- **Customizable patterns with user logos**
- **Quad Link SQ or 2SI**



Avenue P9400 4K/UHD Test Signal Generator

4K/UHD/3G/HD/SD SPG & TSG



Specifications

Standards Supported *

SMPTE 425M-5, Level A (4x 1080p 50, 59.94 Hz)

Reference Input

Number	Two: External or Frame Master Reference
Signal Type	PAL or NTSC composite video or Tri-Level Sync or 10 MHz 1V P-P sine or square
Return Loss	>40 dB (applies to external ref input)

SDI Output *

Type	4 1080p 50, 59.94 Hz Quad Link
------	--------------------------------

Accuracy

Internal Reference (TCXO)	
Freq Error	<10 ⁻⁷ < ±1 Hz F _{sc}
GPS Option (Model 7400-GPS)	
Freq Error	<10 ⁻¹²

Stability

Analog Jitter	<1 ns
Digital Jitter	<0.2 UI (0.13 UI typical)
AES Jitter	<1 ns

Flash Memory

Number	One
Type	Secure Digital SD Flash Memory Card
Size	2 GB card included

General Specifications

Power Consumption	20 watts
Temperature Range	0 to 40°C ambient (all specs met)
Relative Humidity	0 to 95%, noncondensing
Altitude	0 to 10,000 ft

P9400-4K hardware is comprised of two 9400 modules locked together for timing. P9400-4K can be installed in a 1RU or 3RU Avenue frame.

*Refer to 9400 specifications for additional information on:

- Standards Supported
- Frame Rate Families
- Serial Digital Outputs
- Tri-Level Sync Outputs
- Composite Outputs
- AES Audio Outputs
- Analog Audio Outputs
- Additional Output Choices

P9400-4K provides the full feature set of the 9400.