



Mechanical Dimensions

SFP-H “Hybrid” Series



SFP-H Series

SFP-317-H

SFP-321-H

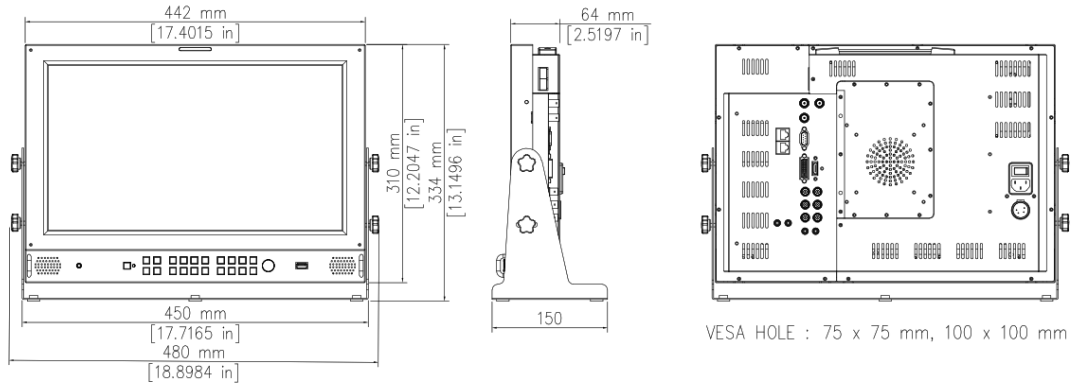
SFP-324-H

PIPM-5 Module

Mechanical Dimensions: SFP-H Series

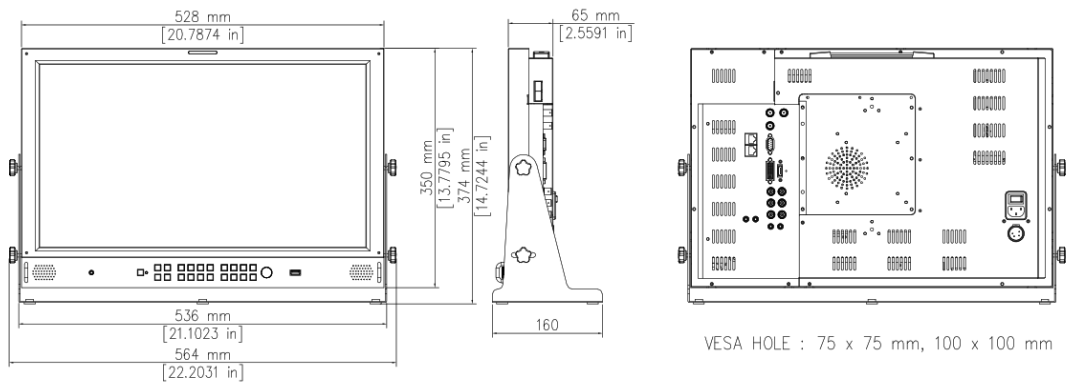
- SFP-317-H

*AutoCad.dwg available upon request



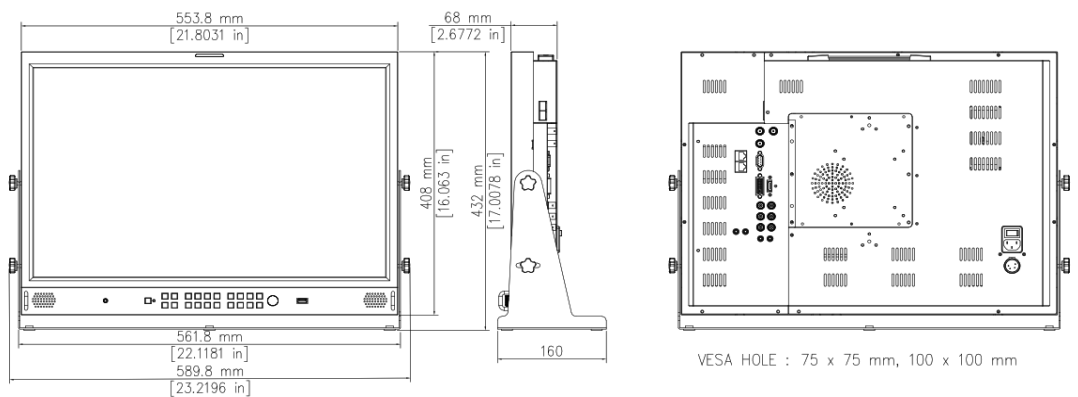
- SFP-321-H

*AutoCad.dwg available upon request



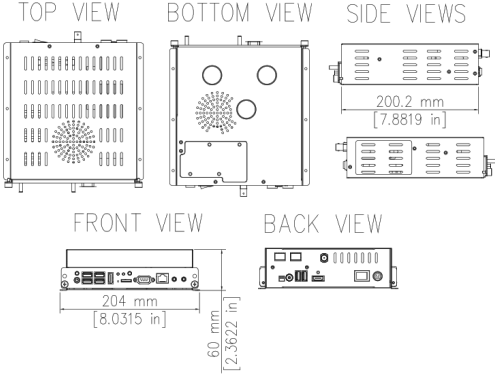
- SFP-324-H

*AutoCad.dwg available upon request

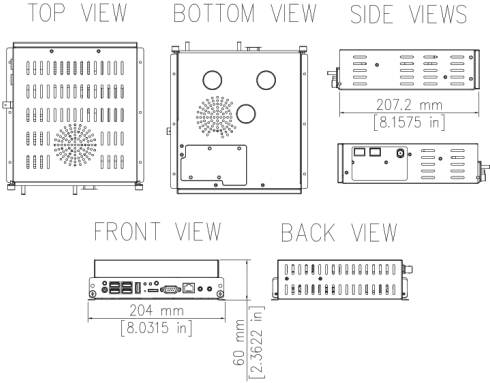


Mechanical Dimensions: SFP-H Series

- PIPM – Standalone Type
*AutoCad.dwg available upon request



- PIPM – Integrated with the monitor Type
*AutoCad.dwg available upon request



plura[®]

www.plurainc.com
www.Plurasfp.com

U.S.A. . Germany . U.A.E. . S.Korea